



Magnet Module

Lumen output
Max. 3100 Lm

Page 109



Magnet Module Tri-color

Lumen output
Max. 3200 Lm

Page 110



Alpha Ceiling

Lumen output
Max. 1900 Lm

Page 111



Nova Fullmoon/ Halfmoon

Lumen output
Max. 1000 Lm

Page 113



Genova

Lumen output
Max. 3290 Lm

Page 115



Pluto Wall

Lumen output
Max. 1000 Lm

Page 117



Galbiate

Lumen output
Max. 3290 Lm

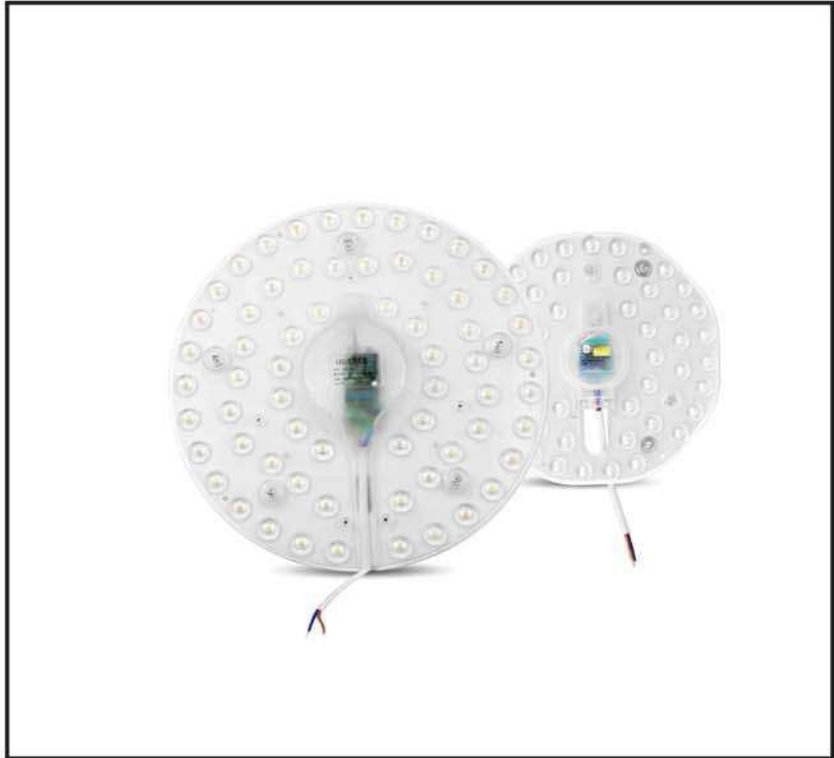
Page 118

DESCRIPTION

No UV or RF interference.
 Ultra thin PCB panel design - only 1,3 mm.
 Original Epistar chip.
 Industrail powerful magnet, firm installation
 23V direct installation
 Available in: 3000/4000K

Certificates: LVD/EMC/RoHS

Colors: White



1.



Notice: Switch off the power before installation.

1. Open up the existing ceiling lamp, remove all the parts except for ceiling lamp panel and L, N wire

2.



3. Fix the PCB board into the middle of the lamp panel with magnet. install the outer cover.

3.



2. Connect new PCB board

4.



4. Switch on to work.

LED	5 YEARS WARRANTY	CE	50000h	L 80 B 10	MacAdam 3	IP 20	Hg 0.0mg
					120°	ON OFF >100000	80% ≤1S

AREA OF USE

Kitchen, hall, toilet, bathroom, corridor, passageway, living room, bedroom etc.

A	
60000/1/2/3	Ø110mm
60004/5/6/7	Ø180mm
60008/9	Ø180mm

TYPE	CRI	LIGHT OUT	POWER	COLOR TEMP
60000	>80 Ra	1100 lm	12 W	3000K
60001	>80 Ra	1100 lm	12 W	3000K DIM
60002	>80 Ra	1100 lm	12 W	4000K
60003	>80 Ra	1100 lm	12 W	4000K DIM
60004	>80 Ra	2300 lm	24 W	3000K
60005	>80 Ra	2300 lm	24 W	3000K DIM
60006	>80 Ra	2300 lm	24 W	4000K
60007	>80 Ra	2300 lm	24 W	4000K DIM
60008	>80 Ra	3100 lm	32 W	3000K
60009	>80 Ra	3100 lm	32 W	4000K

DESCRIPTION

No UV or RF interference.
 Ultra thin PCB panel design.
 Three sections of the switch:
 pure white, warm white and
 commercial white.
 LED ceiling Module Light
 LED type: SMD2835
 Industrail powerful magnet,
 firm installation

Certificates: CE/RoHS

Colors: White

1.



Notice: Switch off the power before installation.

1, Open up the existing ceiling lamp, remove all the parts except for ceiling lamp panel and L, N wire

2.



3, Fix the PCB board into the middle of the lamp panel with magnet, install the outer cover.

3.



2, Connect new PCB board

4.



4, Switch on to work.



LED	3 YEARS WARRANTY	CE	50000h	L 80 B 10	MacAdam 3	IP 20	Hg 0.0mg
						ON OFF >100000	80% ≤1S

AREA OF USE

Kitchen, hall, toilet, bathroom, corridor, passageway, living room, bedroom etc.

CAN BE DELIVERED WITH:

3CCT/3000K/4500K/6000K

	A
60010	Ø120mm
60011	Ø180mm
60012	Ø240mm

TYPE	CRI	LIGHT OUT	POWER	COLOR TEMP
60010	>80 Ra	1200 lm	12 W	3/4/6000K
60011	>80 Ra	2400 lm	24 W	3/4/6000K
60012	>80 Ra	3200 lm	32 W	3/4/6000K

Alpha Ceiling

DESCRIPTION

Alpha is a new design ceiling light.

Wall mounted and surface mounted available.

The base and shade are detachable which make easier maintenance and installation.

High lumen efficiency
100lm/W.
Interchangeable CCT with slide switch.

Interchangeable wattage for round shape only.

Triac/ DALI/ 0-10V Dimmable.

Multiple functions : adjustable sensor, Emergency, adjustable power.

Materials of housing: PC

Certificates: CE/RoHS

Colors: White/black

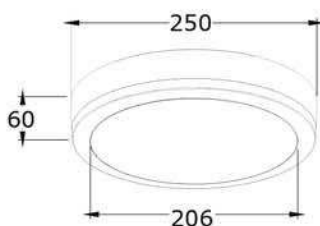


AREA OF USE

Office, supermarket, shop, school, hotel, stairway, lobby etc.

CAN BE DELIVERED WITH:

1-CCT: 3000K/4000K/5000K/5700K
3-CCT: 3000K/4000K/5700K



TYPE	CRI	LIGHT OUT	POWER	KELVIN	SENSOR
60400	>80 Ra	1100-1300Lm	12 W	3-CCT	No
60401	>80 Ra	1050-1250Lm	12 W	3-CCT	Adjust
60403	>80 Ra	1600-1900Lm	18 W	3-CCT	Adjust
60405	>80 Ra	1600-1900Lm	18 W	3000K	1-10V



Nova Fullmoon/Nova Halfmoon

DESCRIPTION

NOVA surface mounted ceiling light adopts high lumen SMD LED.

With IP65 waterproof design, it is an ideal replacement for any locations.

Dimmable versions available.

Normal light control with HF sensors and RF wireless grouping with master and slave are available.

Materials: Alu diecast and PC

Certificates: CE/RoHS

Beam angle 111°

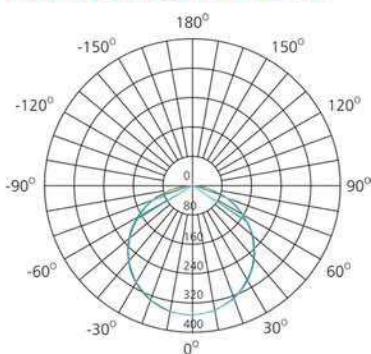
Colors: Light grey



LED CEILING / WALL LIGHT



PHOTOMETRIC CURVE



AREA OF USE

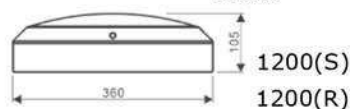
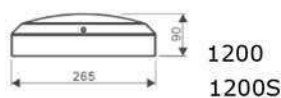
Office, supermarket, shop, school, hotel, stairway, lobby, reception, corridors etc

CAN BE DELIVERED WITH:

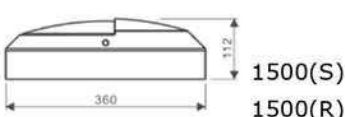
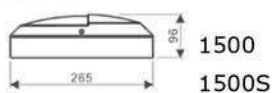
4000K
6500K

Microwave sensor, RF sensor master/slave, emergency light, or dimmable versions available.

Nova



Nova-C



TYPE	CRI	LIGHT OUT	POWER	KELVIN	SENSOR
60200	>80 Ra	750 lm	13 W	3000K	No
60210	>80 Ra	750 lm	13 W	3000K	Microwave
60220	>80 Ra	750 lm	13 W	3000K	RF Sender
60230	>80 Ra	750 lm	13 W	3000K	RF Receiver
60240	>80 Ra	1000 lm	17 W	3000K	No
60250	>80 Ra	1000 lm	17 W	3000K	Microwave
60260	>80 Ra	1000 lm	17 W	3000K	RF Sender
60270	>80 Ra	1000 lm	17 W	3000K	RF Receiver



DESCRIPTION

DL38 surface mounted ceiling light.
 Up to 70% energy saving compared to standard CFL
 Dimmable when using triac dimmer
 No UV/IR light
 Easy to install
 The lamp adopts high quality reflector which has good reflective rate and light output > 86%

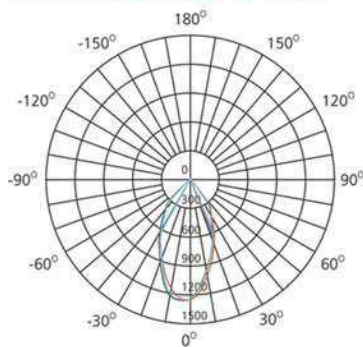
Certificates: CE/SAA/RoHS

Colors: White/black

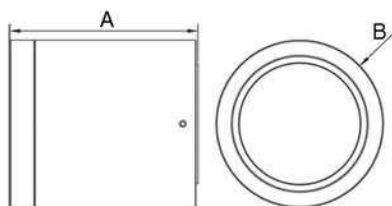


LED	5 YEARS WARRANTY	CE	40000h	L 80 B 10	MacAdam 3	IP 54	Hg 0.0mg
1-10V Dimmable			ON OFF >100000	80% ≤1S	24°	36°	60°

PHOTOMETRIC CURVE



A	B
60500/10/40/50100	Ø90
60520/60	110 Ø120
60530/70	120 Ø160



AREA OF USE

Office, supermarket, shop, school, hotel, restaurant

CAN BE DELIVERED WITH

4000K
 5000K
 5700K

TYPE	CRI	LIGHT OUT	POWER	COLOR TEMP
60500	>80 Ra	800 lm	10 W	3000K
60510	>80 Ra	1200 lm	15 W	3000K
60520	>80 Ra	2320 lm	25 W	3000K
60530	>80 Ra	3320 lm	35 W	3000K
60540	>80 Ra	760 lm	10 W	3000K
60550	>80 Ra	1160 lm	15 W	3000K
60560	>80 Ra	2270 lm	25 W	3000K
60570	>80 Ra	3290 lm	35 W	3000K



Pluto Wall

DESCRIPTION

Pluto Wall is an ultra-thin design which looks like a power bank. It adopted SMD light source in both ends with PC lens, wall-washing design for optic effect, so it can do higher and further lighting.

Ultra-thin with only 30.5mm thickness.
Up & down lighting design.

Interchangeable CCT with slide switch.
Internal flicker free driver.

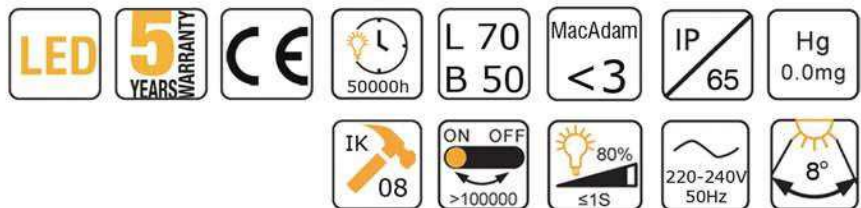
Materials: ADC12 Aluminium

Beam angle: Polarized lens 8°

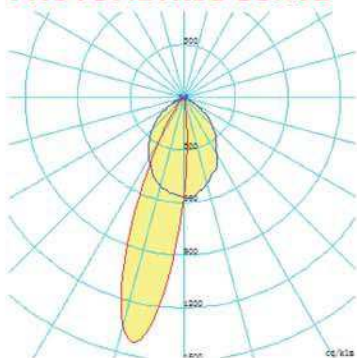
Colors: White/black



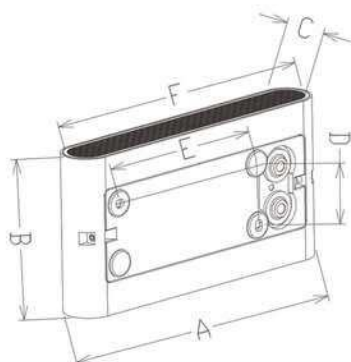
LED CEILING / WALL LIGHT



PHOTOMETRIC CURVE



TYPE	A	B	C	D	E
6W	135	90	30.5	36	66.1
10W	175	90	30.5	34.5	101.5



AREA OF USE

Indoor and outdoor lighting applications hotel, park, corridors, school, stairway etc.

CAN BE DELIVERED WITH:

Interchangeable CCT (3000k/4000K/5700K) with slide switch

TYPE	CRI	LIGHT OUT	POWER	KELVIN	Color
60410	>80 Ra	540-680 lm	6 W	3000K	White
60411	>80 Ra	540-680 lm	6 W	3000K	Black
60420	>80 Ra	950-1060 lm	10 W	3000K	White
60421	>80 Ra	950-1060 lm	10 W	3000K	Black

DESCRIPTION

When funktion meet design
 Die-casted lamp does not have to be only used outdoors.
 Funktional wall light with unique modern design, applicable in any place.
 Make the maintenance as easier as possible
 Can be with half moon and full moon
 Can be both wall mounting and surface mounting
 Dual CCT is optional
 3-Different brightness selectable
 Durable performance, 5-yers warranty.
 Aluminum case as heatsink

 Certificates: CE/ETL/CCC

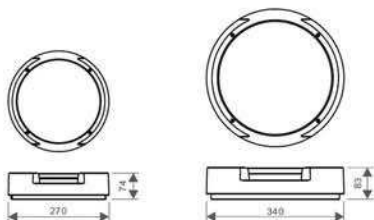
 Colors: Black



AREA OF USE

Replaces fluorescent 2D lamp.
 Bathroom, kitchen, stairwells and corridors

	A	B
60300/10/20/30	270	74
60340/50/60/70	340	83



TYPE	CRI	LIGHT OUT	POWER	KELVIN	SENSOR
60300	>80 Ra	800 lm	9 W	4000K	No
60310	>80 Ra	800 lm	10,5 W	4000K	Yes
60320	>80 Ra	1300 lm	15 W	4000K	No
60330	>80 Ra	1300 lm	16,5 W	4000K	Yes
60340	>80 Ra	1300 lm	16 W	4000K	No
60350	>80 Ra	1300 lm	16,5 W	4000K	No
60360	>80 Ra	1300 lm	17,5 W	4000K	Yes
60370	>80 Ra	1300 lm	18 W	4000K	Yes